

OPÉRATIONS MIXTES (PÂQUES) (A)

Suivez le Lapin de Pâques jusqu'à son panier. Calculez chaque réponse tout au long du trajectoire.



$$\begin{array}{r} 1 \\ \times 2 \\ \hline \square \end{array} \longrightarrow \begin{array}{r} 2 \\ + 4 \\ \hline \square \end{array} \longrightarrow \begin{array}{r} 15 \\ - 6 \\ \hline \square \end{array}$$

$$\begin{array}{r} 10 \\ \div 2 \\ \hline \square \end{array} \longleftarrow \begin{array}{r} 2 \\ + 8 \\ \hline \square \end{array} \longleftarrow \begin{array}{r} 10 \\ \div 2 \\ \hline \square \end{array} \longleftarrow \begin{array}{r} 11 \\ - 3 \\ \hline \square \end{array}$$

$$\begin{array}{r} 11 \\ - 2 \\ \hline \square \end{array} \longrightarrow \begin{array}{r} 2 \\ + 7 \\ \hline \square \end{array} \longrightarrow \begin{array}{r} 18 \\ \div 2 \\ \hline \square \end{array} \longrightarrow \begin{array}{r} 5 \\ - 3 \\ \hline \square \end{array}$$

$$\begin{array}{r} 8 \\ \times 6 \\ \hline \square \end{array} \longleftarrow \begin{array}{r} 4 \\ + 4 \\ \hline \square \end{array} \longleftarrow \begin{array}{r} 12 \\ - 7 \\ \hline \square \end{array} \longleftarrow \begin{array}{r} 3 \\ \times 2 \\ \hline \square \end{array}$$

$$\begin{array}{r} 1 \\ \times 6 \\ \hline \square \end{array} \longrightarrow \begin{array}{r} 4 \\ + 6 \\ \hline \square \end{array} \longrightarrow \begin{array}{r} 12 \\ - 4 \\ \hline \square \end{array} \longrightarrow \begin{array}{r} 4 \\ + 5 \\ \hline \square \end{array}$$

$$\begin{array}{r} 12 \\ - 4 \\ \hline \square \end{array} \longleftarrow \begin{array}{r} 12 \\ \div 6 \\ \hline \square \end{array} \longleftarrow \begin{array}{r} 4 \\ \times 8 \\ \hline \square \end{array} \longleftarrow \begin{array}{r} 56 \\ \div 8 \\ \hline \square \end{array}$$

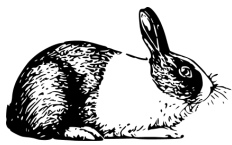
$$\begin{array}{r} 63 \\ \div 7 \\ \hline \square \end{array} \longrightarrow \begin{array}{r} 9 \\ - 1 \\ \hline \square \end{array} \longrightarrow$$



Vous l'avez fait!
Résultats: ____ sur 25

OPÉRATIONS MIXTES (PÂQUES) (A) RÉPONSES

Suivez le Lapin de Pâques jusqu'à son panier. Calculez chaque réponse tout au long du trajectoire.



$$\begin{array}{r} 1 \\ \times 2 \\ \hline \end{array}$$

 \longrightarrow

$$\begin{array}{r} 2 \\ + 4 \\ \hline \end{array}$$

 \longrightarrow

$$\begin{array}{r} 15 \\ - 6 \\ \hline \end{array}$$

$$\begin{array}{r} 10 \\ \div 2 \\ \hline \end{array}$$

 \longleftarrow

$$\begin{array}{r} 2 \\ + 8 \\ \hline \end{array}$$

 \longleftarrow

$$\begin{array}{r} 10 \\ \div 2 \\ \hline \end{array}$$

 \longleftarrow

$$\begin{array}{r} 11 \\ - 3 \\ \hline \end{array}$$

$$\begin{array}{r} 11 \\ - 2 \\ \hline \end{array}$$

 \longrightarrow

$$\begin{array}{r} 2 \\ + 7 \\ \hline \end{array}$$

 \longrightarrow

$$\begin{array}{r} 18 \\ \div 2 \\ \hline \end{array}$$

 \longrightarrow

$$\begin{array}{r} 5 \\ - 3 \\ \hline \end{array}$$

$$\begin{array}{r} 8 \\ \times 6 \\ \hline \end{array}$$

 \longleftarrow

$$\begin{array}{r} 4 \\ + 4 \\ \hline \end{array}$$

 \longleftarrow

$$\begin{array}{r} 12 \\ - 7 \\ \hline \end{array}$$

 \longleftarrow

$$\begin{array}{r} 3 \\ \times 2 \\ \hline \end{array}$$

$$\begin{array}{r} 1 \\ \times 6 \\ \hline \end{array}$$

 \longrightarrow

$$\begin{array}{r} 4 \\ + 6 \\ \hline \end{array}$$

 \longrightarrow

$$\begin{array}{r} 12 \\ - 4 \\ \hline \end{array}$$

 \longrightarrow

$$\begin{array}{r} 4 \\ + 5 \\ \hline \end{array}$$

$$\begin{array}{r} 12 \\ - 4 \\ \hline \end{array}$$

 \longleftarrow

$$\begin{array}{r} 12 \\ \div 6 \\ \hline \end{array}$$

 \longleftarrow

$$\begin{array}{r} 4 \\ \times 8 \\ \hline \end{array}$$

 \longleftarrow

$$\begin{array}{r} 56 \\ \div 8 \\ \hline \end{array}$$

$$\begin{array}{r} 63 \\ \div 7 \\ \hline \end{array}$$

 \longrightarrow

$$\begin{array}{r} 9 \\ - 1 \\ \hline \end{array}$$



Vous l'avez fait!
Résultats: ____ sur 25

OPÉRATIONS MIXTES (PÂQUES) (B)

Suivez le Lapin de Pâques jusqu'à son panier. Calculez chaque réponse tout au long du trajectoire.



$$\begin{array}{r} 18 \\ \div 9 \\ \hline \square \end{array} \longrightarrow \begin{array}{r} 14 \\ - 9 \\ \hline \square \end{array} \longrightarrow \begin{array}{r} 4 \\ \times 2 \\ \hline \square \end{array}$$

$$\begin{array}{r} 6 \\ + 6 \\ \hline \square \end{array} \longleftarrow \begin{array}{r} 3 \\ \times 1 \\ \hline \square \end{array} \longleftarrow \begin{array}{r} 2 \\ + 3 \\ \hline \square \end{array} \longleftarrow \begin{array}{r} 4 \\ + 2 \\ \hline \square \end{array}$$

$$\begin{array}{r} 2 \\ + 1 \\ \hline \square \end{array} \longrightarrow \begin{array}{r} 5 \\ - 3 \\ \hline \square \end{array} \longrightarrow \begin{array}{r} 7 \\ \times 2 \\ \hline \square \end{array} \longrightarrow \begin{array}{r} 6 \\ \times 8 \\ \hline \square \end{array}$$

$$\begin{array}{r} 8 \\ + 8 \\ \hline \square \end{array} \longleftarrow \begin{array}{r} 6 \\ - 4 \\ \hline \square \end{array} \longleftarrow \begin{array}{r} 24 \\ \div 6 \\ \hline \square \end{array} \longleftarrow \begin{array}{r} 14 \\ - 6 \\ \hline \square \end{array}$$

$$\begin{array}{r} 4 \\ \div 4 \\ \hline \square \end{array} \longrightarrow \begin{array}{r} 1 \\ + 4 \\ \hline \square \end{array} \longrightarrow \begin{array}{r} 13 \\ - 9 \\ \hline \square \end{array} \longrightarrow \begin{array}{r} 5 \\ - 3 \\ \hline \square \end{array}$$

$$\begin{array}{r} 4 \\ \times 4 \\ \hline \square \end{array} \longleftarrow \begin{array}{r} 11 \\ - 3 \\ \hline \square \end{array} \longleftarrow \begin{array}{r} 4 \\ + 6 \\ \hline \square \end{array} \longleftarrow \begin{array}{r} 3 \\ \div 1 \\ \hline \square \end{array}$$

$$\begin{array}{r} 9 \\ - 1 \\ \hline \square \end{array} \longrightarrow \begin{array}{r} 9 \\ \times 8 \\ \hline \square \end{array}$$



Vous l'avez fait!
Résultats: ___ sur 25

OPÉRATIONS MIXTES (PÂQUES) (B) RÉPONSES

Suivez le Lapin de Pâques jusqu'à son panier. Calculez chaque réponse tout au long du trajectoire.



$$\begin{array}{r} 18 \\ \div 9 \\ \hline \end{array}$$

 \longrightarrow

$$\begin{array}{r} 14 \\ - 9 \\ \hline \end{array}$$

 \longrightarrow

$$\begin{array}{r} 4 \\ \times 2 \\ \hline \end{array}$$

$$\begin{array}{r} 6 \\ + 6 \\ \hline \end{array}$$

 \longleftarrow

$$\begin{array}{r} 3 \\ \times 1 \\ \hline \end{array}$$

 \longleftarrow

$$\begin{array}{r} 2 \\ + 3 \\ \hline \end{array}$$

 \longleftarrow

$$\begin{array}{r} 4 \\ + 2 \\ \hline \end{array}$$

$$\begin{array}{r} 2 \\ + 1 \\ \hline \end{array}$$

 \longrightarrow

$$\begin{array}{r} 5 \\ - 3 \\ \hline \end{array}$$

 \longrightarrow

$$\begin{array}{r} 7 \\ \times 2 \\ \hline \end{array}$$

 \longrightarrow

$$\begin{array}{r} 6 \\ \times 8 \\ \hline \end{array}$$

$$\begin{array}{r} 8 \\ + 8 \\ \hline \end{array}$$

 \longleftarrow

$$\begin{array}{r} 6 \\ - 4 \\ \hline \end{array}$$

 \longleftarrow

$$\begin{array}{r} 24 \\ \div 6 \\ \hline \end{array}$$

 \longleftarrow

$$\begin{array}{r} 14 \\ - 6 \\ \hline \end{array}$$

$$\begin{array}{r} 4 \\ \div 4 \\ \hline \end{array}$$

 \longrightarrow

$$\begin{array}{r} 1 \\ + 4 \\ \hline \end{array}$$

 \longrightarrow

$$\begin{array}{r} 13 \\ - 9 \\ \hline \end{array}$$

 \longrightarrow

$$\begin{array}{r} 5 \\ - 3 \\ \hline \end{array}$$

$$\begin{array}{r} 4 \\ \times 4 \\ \hline \end{array}$$

 \longleftarrow

$$\begin{array}{r} 11 \\ - 3 \\ \hline \end{array}$$

 \longleftarrow

$$\begin{array}{r} 4 \\ + 6 \\ \hline \end{array}$$

 \longleftarrow

$$\begin{array}{r} 3 \\ \div 1 \\ \hline \end{array}$$

$$\begin{array}{r} 9 \\ - 1 \\ \hline \end{array}$$

 \longrightarrow

$$\begin{array}{r} 9 \\ \times 8 \\ \hline \end{array}$$



Vous l'avez fait!
Résultats: ___ sur 25

OPÉRATIONS MIXTES (PÂQUES) (C)

Suivez le Lapin de Pâques jusqu'à son panier. Calculez chaque réponse tout au long du trajectoire.



$$\begin{array}{r} 11 \\ - 3 \\ \hline \square \end{array}$$

$$\begin{array}{r} 11 \\ - 2 \\ \hline \square \end{array}$$

$$\begin{array}{r} 9 \\ \times 2 \\ \hline \square \end{array}$$

$$\begin{array}{r} 4 \\ \div 4 \\ \hline \square \end{array}$$

$$\begin{array}{r} 7 \\ \times 7 \\ \hline \square \end{array}$$

$$\begin{array}{r} 72 \\ \div 9 \\ \hline \square \end{array}$$

$$\begin{array}{r} 5 \\ \times 8 \\ \hline \square \end{array}$$

$$\begin{array}{r} 5 \\ + 3 \\ \hline \square \end{array}$$

$$\begin{array}{r} 3 \\ \div 1 \\ \hline \square \end{array}$$

$$\begin{array}{r} 11 \\ - 2 \\ \hline \square \end{array}$$

$$\begin{array}{r} 11 \\ - 5 \\ \hline \square \end{array}$$

$$\begin{array}{r} 36 \\ \div 6 \\ \hline \square \end{array}$$

$$\begin{array}{r} 4 \\ + 6 \\ \hline \square \end{array}$$

$$\begin{array}{r} 4 \\ \times 3 \\ \hline \square \end{array}$$

$$\begin{array}{r} 8 \\ \times 5 \\ \hline \square \end{array}$$

$$\begin{array}{r} 5 \\ + 3 \\ \hline \square \end{array}$$

$$\begin{array}{r} 1 \\ \times 8 \\ \hline \square \end{array}$$

$$\begin{array}{r} 9 \\ - 8 \\ \hline \square \end{array}$$

$$\begin{array}{r} 48 \\ \div 6 \\ \hline \square \end{array}$$

$$\begin{array}{r} 2 \\ + 5 \\ \hline \square \end{array}$$

$$\begin{array}{r} 5 \\ - 3 \\ \hline \square \end{array}$$

$$\begin{array}{r} 9 \\ + 7 \\ \hline \square \end{array}$$

$$\begin{array}{r} 5 \\ \times 4 \\ \hline \square \end{array}$$

$$\begin{array}{r} 15 \\ - 9 \\ \hline \square \end{array}$$

$$\begin{array}{r} 7 \\ \times 2 \\ \hline \square \end{array}$$



Vous l'avez fait!
Résultats: ___ sur 25

OPÉRATIONS MIXTES (PÂQUES) (C) RÉPONSES

Suivez le Lapin de Pâques jusqu'à son panier. Calculez chaque réponse tout au long du trajectoire.



$$\begin{array}{r} 11 \\ - 3 \\ \hline \end{array}$$

$$\begin{array}{r} 11 \\ - 2 \\ \hline \end{array}$$

$$\begin{array}{r} 9 \\ \times 2 \\ \hline \end{array}$$

$$\begin{array}{r} 4 \\ \div 4 \\ \hline \end{array}$$

$$\begin{array}{r} 7 \\ \times 7 \\ \hline \end{array}$$

$$\begin{array}{r} 72 \\ \div 9 \\ \hline \end{array}$$

$$\begin{array}{r} 5 \\ \times 8 \\ \hline \end{array}$$

$$\begin{array}{r} 5 \\ + 3 \\ \hline \end{array}$$

$$\begin{array}{r} 3 \\ \div 1 \\ \hline \end{array}$$

$$\begin{array}{r} 11 \\ - 2 \\ \hline \end{array}$$

$$\begin{array}{r} 11 \\ - 5 \\ \hline \end{array}$$

$$\begin{array}{r} 36 \\ \div 6 \\ \hline \end{array}$$

$$\begin{array}{r} 4 \\ + 6 \\ \hline \end{array}$$

$$\begin{array}{r} 4 \\ \times 3 \\ \hline \end{array}$$

$$\begin{array}{r} 8 \\ \times 5 \\ \hline \end{array}$$

$$\begin{array}{r} 5 \\ + 3 \\ \hline \end{array}$$

$$\begin{array}{r} 1 \\ \times 8 \\ \hline \end{array}$$

$$\begin{array}{r} 9 \\ - 8 \\ \hline \end{array}$$

$$\begin{array}{r} 48 \\ \div 6 \\ \hline \end{array}$$

$$\begin{array}{r} 2 \\ + 5 \\ \hline \end{array}$$

$$\begin{array}{r} 5 \\ - 3 \\ \hline \end{array}$$

$$\begin{array}{r} 9 \\ + 7 \\ \hline \end{array}$$

$$\begin{array}{r} 5 \\ \times 4 \\ \hline \end{array}$$

$$\begin{array}{r} 15 \\ - 9 \\ \hline \end{array}$$

$$\begin{array}{r} 7 \\ \times 2 \\ \hline \end{array}$$



Vous l'avez fait!
Résultats: ___ sur 25

OPÉRATIONS MIXTES (PÂQUES) (1)

Suivez le Lapin de Pâques jusqu'à son panier. Calculez chaque réponse tout au long du trajectoire.



$$\begin{array}{r} 9 \\ + 8 \\ \hline \end{array}$$

$$\begin{array}{r} 9 \\ + 3 \\ \hline \end{array}$$

$$\begin{array}{r} 2 \\ \times 6 \\ \hline \end{array}$$

$$\begin{array}{r} 4 \\ \times 6 \\ \hline \end{array}$$

$$\begin{array}{r} 10 \\ - 5 \\ \hline \end{array}$$

$$\begin{array}{r} 5 \\ - 1 \\ \hline \end{array}$$

$$\begin{array}{r} 12 \\ \div 2 \\ \hline \end{array}$$

$$\begin{array}{r} 36 \\ \div 4 \\ \hline \end{array}$$

$$\begin{array}{r} 13 \\ - 6 \\ \hline \end{array}$$

$$\begin{array}{r} 18 \\ \div 6 \\ \hline \end{array}$$

$$\begin{array}{r} 2 \\ + 5 \\ \hline \end{array}$$

$$\begin{array}{r} 5 \\ + 1 \\ \hline \end{array}$$

$$\begin{array}{r} 9 \\ \times 7 \\ \hline \end{array}$$

$$\begin{array}{r} 9 \\ \times 4 \\ \hline \end{array}$$

$$\begin{array}{r} 7 \\ + 8 \\ \hline \end{array}$$

$$\begin{array}{r} 3 \\ \times 8 \\ \hline \end{array}$$

$$\begin{array}{r} 45 \\ \div 9 \\ \hline \end{array}$$

$$\begin{array}{r} 7 \\ \times 6 \\ \hline \end{array}$$

$$\begin{array}{r} 2 \\ \times 1 \\ \hline \end{array}$$

$$\begin{array}{r} 3 \\ + 7 \\ \hline \end{array}$$

$$\begin{array}{r} 27 \\ \div 9 \\ \hline \end{array}$$

$$\begin{array}{r} 8 \\ - 6 \\ \hline \end{array}$$

$$\begin{array}{r} 14 \\ \div 7 \\ \hline \end{array}$$

$$\begin{array}{r} 35 \\ \div 7 \\ \hline \end{array}$$

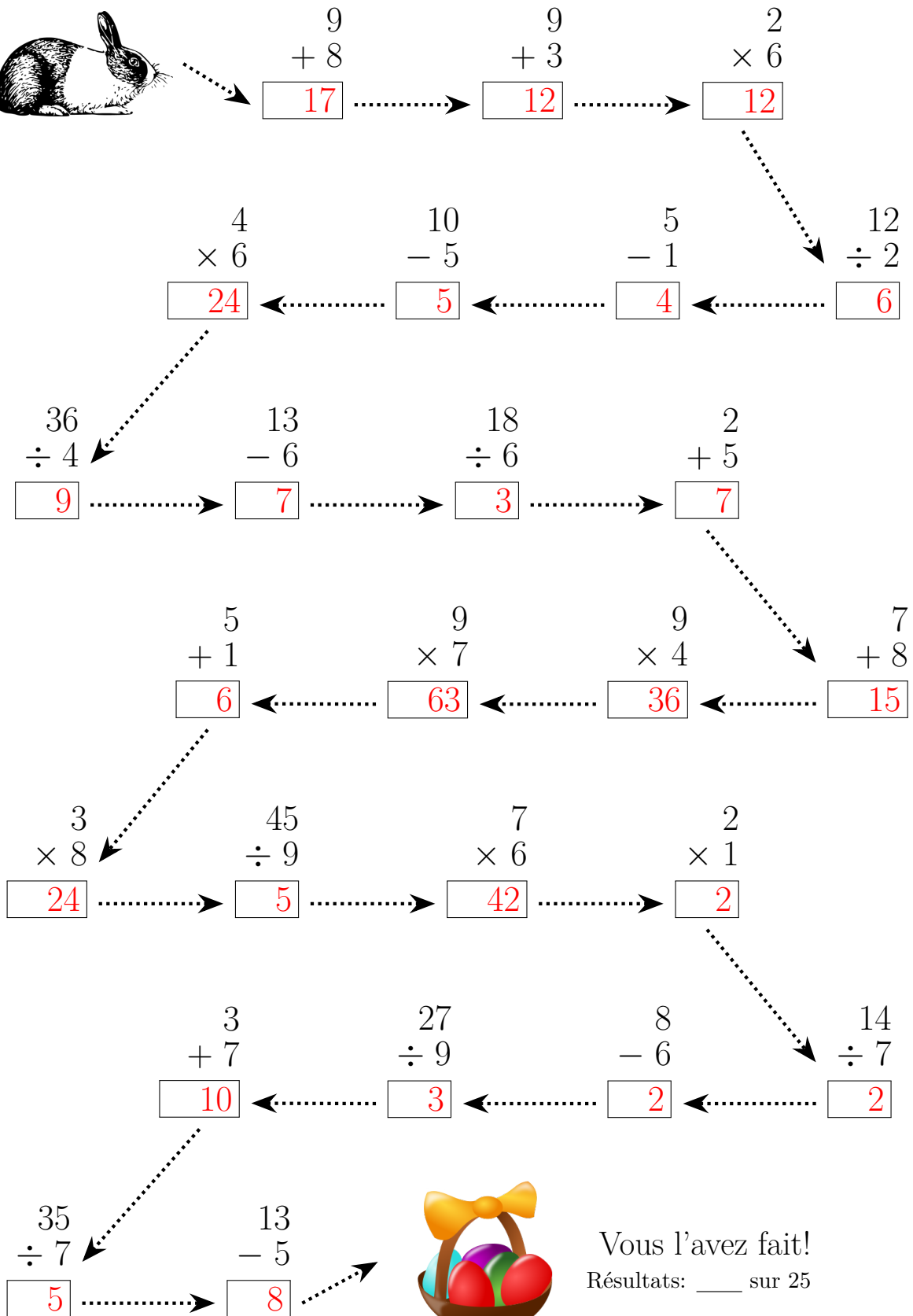
$$\begin{array}{r} 13 \\ - 5 \\ \hline \end{array}$$



Vous l'avez fait!
Résultats: ____ sur 25

OPÉRATIONS MIXTES (PÂQUES) (D) RÉPONSES

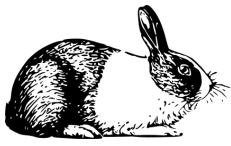
Suivez le Lapin de Pâques jusqu'à son panier. Calculez chaque réponse tout au long du trajectoire.



Vous l'avez fait!
Résultats: ____ sur 25

OPÉRATIONS MIXTES (PÂQUES) CE1

Suivez le Lapin de Pâques jusqu'à son panier. Calculez chaque réponse tout au long du trajectoire.



$$\begin{array}{r} 24 \\ \div 8 \\ \hline \square \end{array} \longrightarrow \begin{array}{r} 28 \\ \div 7 \\ \hline \square \end{array} \longrightarrow \begin{array}{r} 3 \\ + 9 \\ \hline \square \end{array}$$

$$\begin{array}{r} 8 \\ \times 1 \\ \hline \square \end{array} \longleftarrow \begin{array}{r} 16 \\ - 9 \\ \hline \square \end{array} \longleftarrow \begin{array}{r} 16 \\ \div 2 \\ \hline \square \end{array} \longleftarrow \begin{array}{r} 6 \\ \times 1 \\ \hline \square \end{array}$$

$$\begin{array}{r} 5 \\ - 2 \\ \hline \square \end{array} \longrightarrow \begin{array}{r} 4 \\ \times 8 \\ \hline \square \end{array} \longrightarrow \begin{array}{r} 1 \\ \times 2 \\ \hline \square \end{array} \longrightarrow \begin{array}{r} 4 \\ \times 6 \\ \hline \square \end{array}$$

$$\begin{array}{r} 5 \\ + 9 \\ \hline \square \end{array} \longleftarrow \begin{array}{r} 7 \\ \times 8 \\ \hline \square \end{array} \longleftarrow \begin{array}{r} 1 \\ \times 8 \\ \hline \square \end{array} \longleftarrow \begin{array}{r} 7 \\ \times 2 \\ \hline \square \end{array}$$

$$\begin{array}{r} 9 \\ \times 9 \\ \hline \square \end{array} \longrightarrow \begin{array}{r} 24 \\ \div 3 \\ \hline \square \end{array} \longrightarrow \begin{array}{r} 32 \\ \div 4 \\ \hline \square \end{array} \longrightarrow \begin{array}{r} 7 \\ \times 8 \\ \hline \square \end{array}$$

$$\begin{array}{r} 5 \\ \times 7 \\ \hline \square \end{array} \longleftarrow \begin{array}{r} 3 \\ + 9 \\ \hline \square \end{array} \longleftarrow \begin{array}{r} 7 \\ \times 8 \\ \hline \square \end{array} \longleftarrow \begin{array}{r} 81 \\ \div 9 \\ \hline \square \end{array}$$

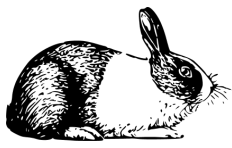
$$\begin{array}{r} 54 \\ \div 6 \\ \hline \square \end{array} \longrightarrow \begin{array}{r} 2 \\ \div 1 \\ \hline \square \end{array}$$



Vous l'avez fait!
Résultats: ___ sur 25

OPÉRATIONS MIXTES (PÂQUES) (E) RÉPONSES

Suivez le Lapin de Pâques jusqu'à son panier. Calculez chaque réponse tout au long du trajectoire.



$$\begin{array}{r} 24 \\ \div 8 \\ \hline 3 \end{array}$$

$$\begin{array}{r} 28 \\ \div 7 \\ \hline 4 \end{array}$$

$$\begin{array}{r} 3 \\ + 9 \\ \hline 12 \end{array}$$

$$\begin{array}{r} 8 \\ \times 1 \\ \hline 8 \end{array}$$

$$\begin{array}{r} 16 \\ - 9 \\ \hline 7 \end{array}$$

$$\begin{array}{r} 16 \\ \div 2 \\ \hline 8 \end{array}$$

$$\begin{array}{r} 6 \\ \times 1 \\ \hline 6 \end{array}$$

$$\begin{array}{r} 5 \\ - 2 \\ \hline 3 \end{array}$$

$$\begin{array}{r} 4 \\ \times 8 \\ \hline 32 \end{array}$$

$$\begin{array}{r} 1 \\ \times 2 \\ \hline 2 \end{array}$$

$$\begin{array}{r} 4 \\ \times 6 \\ \hline 24 \end{array}$$

$$\begin{array}{r} 5 \\ + 9 \\ \hline 14 \end{array}$$

$$\begin{array}{r} 7 \\ \times 8 \\ \hline 56 \end{array}$$

$$\begin{array}{r} 1 \\ \times 8 \\ \hline 8 \end{array}$$

$$\begin{array}{r} 7 \\ \times 2 \\ \hline 14 \end{array}$$

$$\begin{array}{r} 9 \\ \times 9 \\ \hline 81 \end{array}$$

$$\begin{array}{r} 24 \\ \div 3 \\ \hline 8 \end{array}$$

$$\begin{array}{r} 32 \\ \div 4 \\ \hline 8 \end{array}$$

$$\begin{array}{r} 7 \\ \times 8 \\ \hline 56 \end{array}$$

$$\begin{array}{r} 5 \\ \times 7 \\ \hline 35 \end{array}$$

$$\begin{array}{r} 3 \\ + 9 \\ \hline 12 \end{array}$$

$$\begin{array}{r} 7 \\ \times 8 \\ \hline 56 \end{array}$$

$$\begin{array}{r} 81 \\ \div 9 \\ \hline 9 \end{array}$$

$$\begin{array}{r} 54 \\ \div 6 \\ \hline 9 \end{array}$$

$$\begin{array}{r} 2 \\ \div 1 \\ \hline 2 \end{array}$$



Vous l'avez fait!
Résultats: ___ sur 25

OPÉRATIONS MIXTES (PÂQUES) (F)

Suivez le Lapin de Pâques jusqu'à son panier. Calculez chaque réponse tout au long du trajectoire.



$$\begin{array}{r} 35 \\ \div 5 \\ \hline \end{array}$$

$$\begin{array}{r} 30 \\ \div 6 \\ \hline \end{array}$$

$$\begin{array}{r} 3 \\ \times 2 \\ \hline \end{array}$$

$$\begin{array}{r} 12 \\ \div 2 \\ \hline \end{array}$$

$$\begin{array}{r} 35 \\ \div 5 \\ \hline \end{array}$$

$$\begin{array}{r} 42 \\ \div 6 \\ \hline \end{array}$$

$$\begin{array}{r} 5 \\ + 6 \\ \hline \end{array}$$

$$\begin{array}{r} 9 \\ \times 7 \\ \hline \end{array}$$

$$\begin{array}{r} 3 \\ \times 2 \\ \hline \end{array}$$

$$\begin{array}{r} 4 \\ + 1 \\ \hline \end{array}$$

$$\begin{array}{r} 9 \\ + 7 \\ \hline \end{array}$$

$$\begin{array}{r} 1 \\ \times 7 \\ \hline \end{array}$$

$$\begin{array}{r} 4 \\ \times 3 \\ \hline \end{array}$$

$$\begin{array}{r} 2 \\ \times 2 \\ \hline \end{array}$$

$$\begin{array}{r} 6 \\ + 6 \\ \hline \end{array}$$

$$\begin{array}{r} 1 \\ \div 1 \\ \hline \end{array}$$

$$\begin{array}{r} 5 \\ \times 8 \\ \hline \end{array}$$

$$\begin{array}{r} 8 \\ + 3 \\ \hline \end{array}$$

$$\begin{array}{r} 6 \\ - 5 \\ \hline \end{array}$$

$$\begin{array}{r} 6 \\ \times 1 \\ \hline \end{array}$$

$$\begin{array}{r} 7 \\ + 4 \\ \hline \end{array}$$

$$\begin{array}{r} 16 \\ - 8 \\ \hline \end{array}$$

$$\begin{array}{r} 2 \\ - 1 \\ \hline \end{array}$$

$$\begin{array}{r} 4 \\ \times 2 \\ \hline \end{array}$$

$$\begin{array}{r} 9 \\ - 6 \\ \hline \end{array}$$

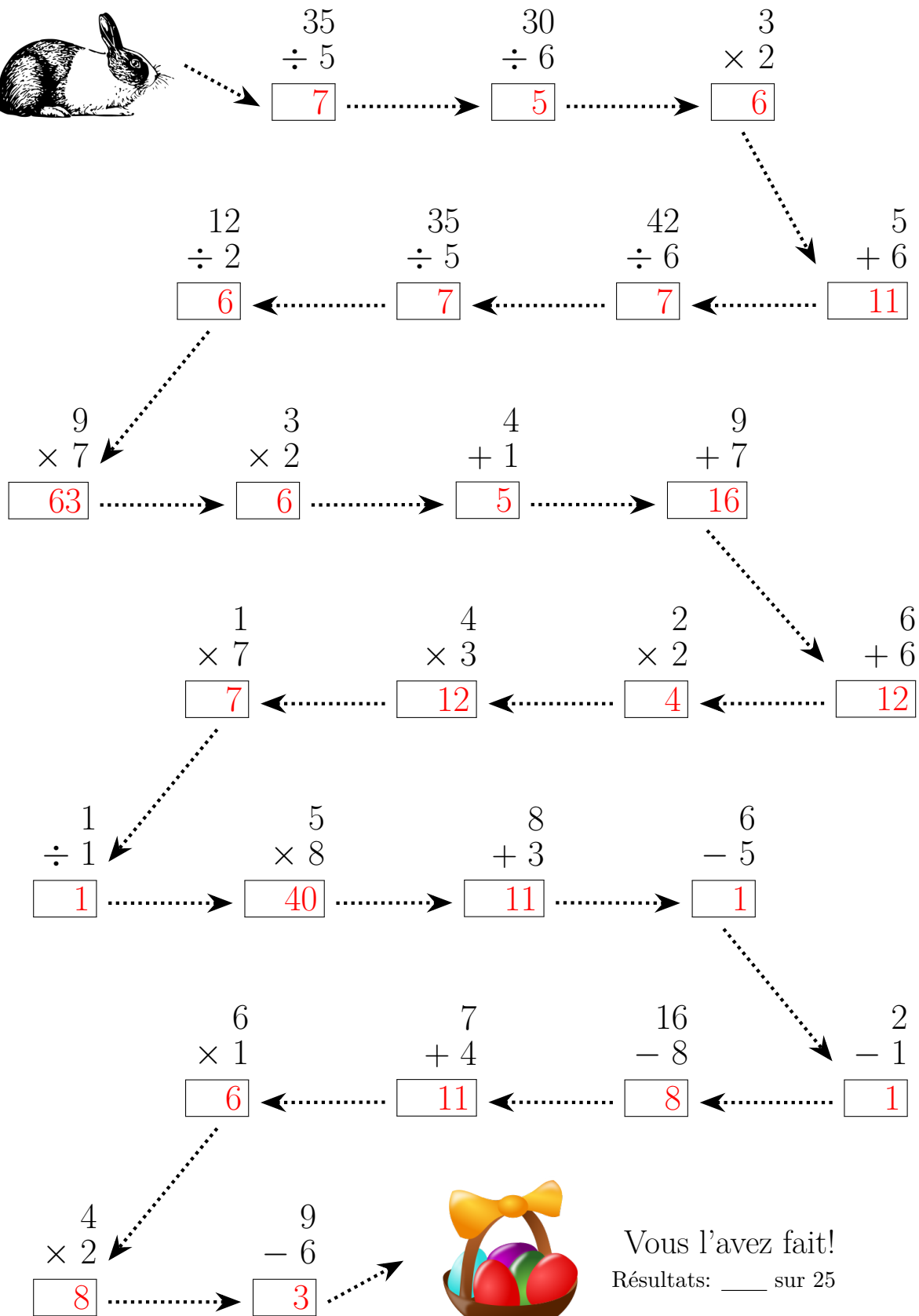


Vous l'avez fait!

Résultats: ____ sur 25

OPÉRATIONS MIXTES (PÂQUES) (F) RÉPONSES

Suivez le Lapin de Pâques jusqu'à son panier. Calculez chaque réponse tout au long du trajectoire.



Vous l'avez fait!
Résultats: ____ sur 25

OPÉRATIONS MIXTES (PÂQUES) (6)

Suivez le Lapin de Pâques jusqu'à son panier. Calculez chaque réponse tout au long du trajectoire.



$$\begin{array}{r} 5 \\ + 5 \\ \hline \square \end{array} \longrightarrow \begin{array}{r} 8 \\ + 5 \\ \hline \square \end{array} \longrightarrow \begin{array}{r} 4 \\ + 1 \\ \hline \square \end{array}$$

$$\begin{array}{r} 7 \\ - 2 \\ \hline \square \end{array} \longleftarrow \begin{array}{r} 8 \\ \times 6 \\ \hline \square \end{array} \longleftarrow \begin{array}{r} 4 \\ - 1 \\ \hline \square \end{array} \longleftarrow \begin{array}{r} 1 \\ + 5 \\ \hline \square \end{array}$$

$$\begin{array}{r} 2 \\ \times 7 \\ \hline \square \end{array} \longrightarrow \begin{array}{r} 9 \\ \times 2 \\ \hline \square \end{array} \longrightarrow \begin{array}{r} 3 \\ \times 3 \\ \hline \square \end{array} \longrightarrow \begin{array}{r} 2 \\ \div 2 \\ \hline \square \end{array}$$

$$\begin{array}{r} 45 \\ \div 9 \\ \hline \square \end{array} \longleftarrow \begin{array}{r} 3 \\ \times 9 \\ \hline \square \end{array} \longleftarrow \begin{array}{r} 9 \\ - 8 \\ \hline \square \end{array} \longleftarrow \begin{array}{r} 35 \\ \div 7 \\ \hline \square \end{array}$$

$$\begin{array}{r} 8 \\ \div 2 \\ \hline \square \end{array} \longrightarrow \begin{array}{r} 8 \\ + 5 \\ \hline \square \end{array} \longrightarrow \begin{array}{r} 8 \\ \div 8 \\ \hline \square \end{array} \longrightarrow \begin{array}{r} 36 \\ \div 4 \\ \hline \square \end{array}$$

$$\begin{array}{r} 5 \\ + 9 \\ \hline \square \end{array} \longleftarrow \begin{array}{r} 13 \\ - 8 \\ \hline \square \end{array} \longleftarrow \begin{array}{r} 7 \\ + 5 \\ \hline \square \end{array} \longleftarrow \begin{array}{r} 9 \\ + 5 \\ \hline \square \end{array}$$

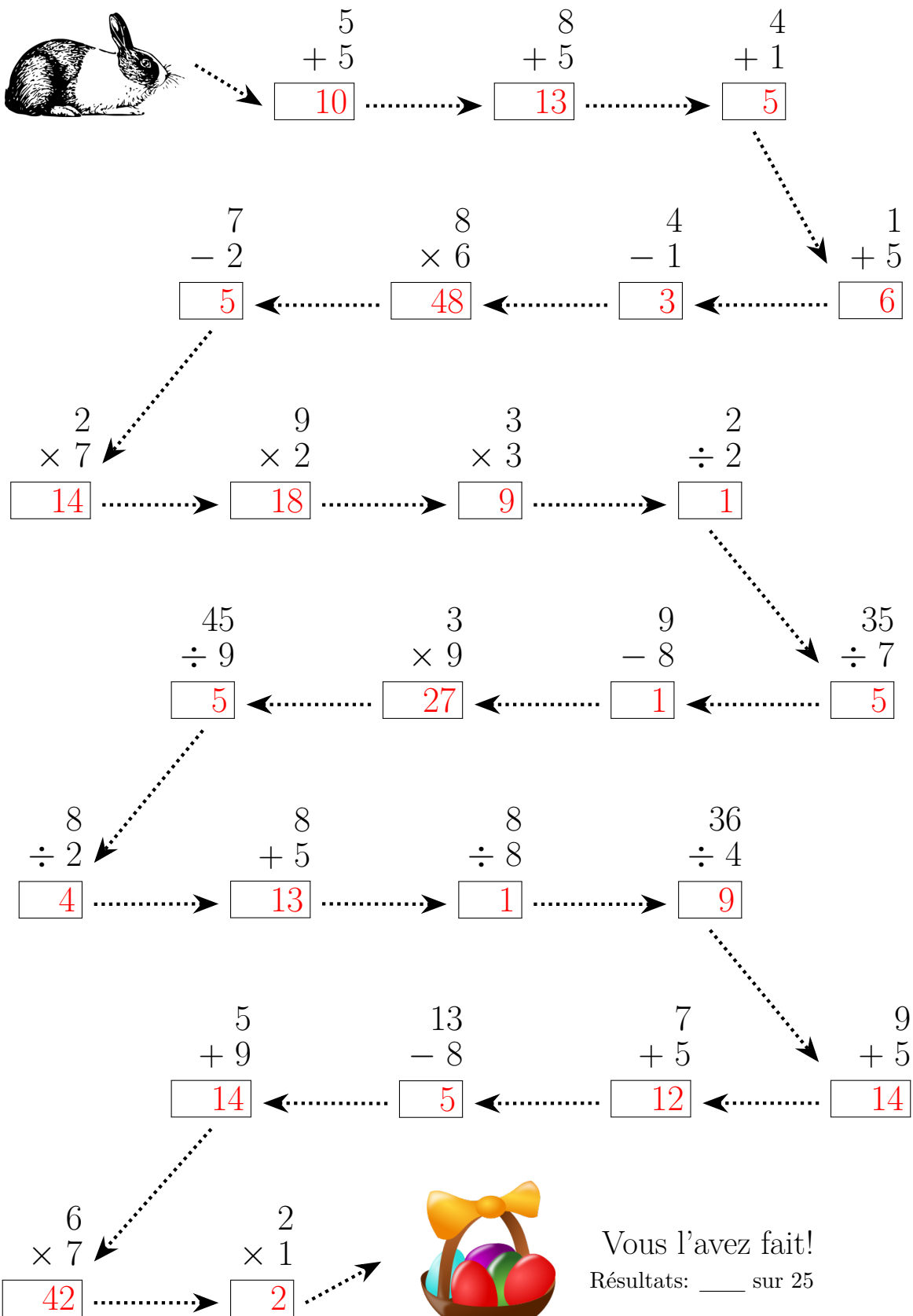
$$\begin{array}{r} 6 \\ \times 7 \\ \hline \square \end{array} \longrightarrow \begin{array}{r} 2 \\ \times 1 \\ \hline \square \end{array} \longrightarrow \text{Panier}$$

Vous l'avez fait!
Résultats: ___ sur 25



OPÉRATIONS MIXTES (PÂQUES) (6) RÉPONSES

Suivez le Lapin de Pâques jusqu'à son panier. Calculez chaque réponse tout au long du trajectoire.



Vous l'avez fait!
Résultats: ___ sur 25

OPÉRATIONS MIXTES (PÂQUES) (H)

Suivez le Lapin de Pâques jusqu'à son panier. Calculez chaque réponse tout au long du trajectoire.



$$\begin{array}{r} 18 \\ \div 2 \\ \hline \square \end{array} \longrightarrow \begin{array}{r} 4 \\ + 1 \\ \hline \square \end{array} \longrightarrow \begin{array}{r} 6 \\ + 8 \\ \hline \square \end{array}$$

$$\begin{array}{r} 12 \\ - 8 \\ \hline \square \end{array} \longleftarrow \begin{array}{r} 3 \\ \times 2 \\ \hline \square \end{array} \longleftarrow \begin{array}{r} 8 \\ + 9 \\ \hline \square \end{array} \longleftarrow \begin{array}{r} 3 \\ \times 4 \\ \hline \square \end{array}$$

$$\begin{array}{r} 10 \\ \div 5 \\ \hline \square \end{array} \longrightarrow \begin{array}{r} 12 \\ - 4 \\ \hline \square \end{array} \longrightarrow \begin{array}{r} 7 \\ \times 4 \\ \hline \square \end{array} \longrightarrow \begin{array}{r} 7 \\ + 2 \\ \hline \square \end{array}$$

$$\begin{array}{r} 8 \\ - 1 \\ \hline \square \end{array} \longleftarrow \begin{array}{r} 1 \\ \div 1 \\ \hline \square \end{array} \longleftarrow \begin{array}{r} 5 \\ - 1 \\ \hline \square \end{array} \longleftarrow \begin{array}{r} 5 \\ \times 2 \\ \hline \square \end{array}$$

$$\begin{array}{r} 8 \\ \times 8 \\ \hline \square \end{array} \longrightarrow \begin{array}{r} 3 \\ + 2 \\ \hline \square \end{array} \longrightarrow \begin{array}{r} 49 \\ \div 7 \\ \hline \square \end{array} \longrightarrow \begin{array}{r} 5 \\ + 8 \\ \hline \square \end{array}$$

$$\begin{array}{r} 7 \\ \times 1 \\ \hline \square \end{array} \longleftarrow \begin{array}{r} 2 \\ \times 8 \\ \hline \square \end{array} \longleftarrow \begin{array}{r} 3 \\ \times 9 \\ \hline \square \end{array} \longleftarrow \begin{array}{r} 3 \\ \times 5 \\ \hline \square \end{array}$$

$$\begin{array}{r} 8 \\ + 8 \\ \hline \square \end{array} \longrightarrow \begin{array}{r} 13 \\ - 9 \\ \hline \square \end{array}$$



Vous l'avez fait!
Résultats: ___ sur 25

OPÉRATIONS MIXTES (PÂQUES) (H) RÉPONSES

Suivez le Lapin de Pâques jusqu'à son panier. Calculez chaque réponse tout au long du trajectoire.



$$\begin{array}{r} 18 \\ \div 2 \\ \hline \end{array}$$

9

 \longrightarrow

$$\begin{array}{r} 4 \\ + 1 \\ \hline \end{array}$$

5

 \longrightarrow

$$\begin{array}{r} 6 \\ + 8 \\ \hline \end{array}$$

14

$$\begin{array}{r} 12 \\ - 8 \\ \hline \end{array}$$

4

 \longleftarrow

$$\begin{array}{r} 3 \\ \times 2 \\ \hline \end{array}$$

6

 \longleftarrow

$$\begin{array}{r} 8 \\ + 9 \\ \hline \end{array}$$

17

 \longleftarrow

$$\begin{array}{r} 3 \\ \times 4 \\ \hline \end{array}$$

12

$$\begin{array}{r} 10 \\ \div 5 \\ \hline \end{array}$$

2

 \longrightarrow

$$\begin{array}{r} 12 \\ - 4 \\ \hline \end{array}$$

8

 \longrightarrow

$$\begin{array}{r} 7 \\ \times 4 \\ \hline \end{array}$$

28

 \longrightarrow

$$\begin{array}{r} 7 \\ + 2 \\ \hline \end{array}$$

9

$$\begin{array}{r} 8 \\ - 1 \\ \hline \end{array}$$

7

 \longleftarrow

$$\begin{array}{r} 1 \\ \div 1 \\ \hline \end{array}$$

1

 \longleftarrow

$$\begin{array}{r} 5 \\ - 1 \\ \hline \end{array}$$

4

 \longleftarrow

$$\begin{array}{r} 5 \\ \times 2 \\ \hline \end{array}$$

10

$$\begin{array}{r} 8 \\ \times 8 \\ \hline \end{array}$$

64

 \longrightarrow

$$\begin{array}{r} 3 \\ + 2 \\ \hline \end{array}$$

5

 \longrightarrow

$$\begin{array}{r} 49 \\ \div 7 \\ \hline \end{array}$$

7

 \longrightarrow

$$\begin{array}{r} 5 \\ + 8 \\ \hline \end{array}$$

13

$$\begin{array}{r} 7 \\ \times 1 \\ \hline \end{array}$$

7

 \longleftarrow

$$\begin{array}{r} 2 \\ \times 8 \\ \hline \end{array}$$

16

 \longleftarrow

$$\begin{array}{r} 3 \\ \times 9 \\ \hline \end{array}$$

27

 \longleftarrow

$$\begin{array}{r} 3 \\ \times 5 \\ \hline \end{array}$$

15

$$\begin{array}{r} 8 \\ + 8 \\ \hline \end{array}$$

16

 \longrightarrow

$$\begin{array}{r} 13 \\ - 9 \\ \hline \end{array}$$

4



Vous l'avez fait!
Résultats: ___ sur 25

OPÉRATIONS MIXTES (PÂQUES) ①

Suivez le Lapin de Pâques jusqu'à son panier. Calculez chaque réponse tout au long du trajectoire.



$$\begin{array}{r} 2 \\ + 5 \\ \hline \square \end{array} \longrightarrow \begin{array}{r} 9 \\ + 7 \\ \hline \square \end{array} \longrightarrow \begin{array}{r} 11 \\ - 7 \\ \hline \square \end{array}$$

$$\begin{array}{r} 14 \\ \div 7 \\ \hline \square \end{array} \longleftarrow \begin{array}{r} 14 \\ - 6 \\ \hline \square \end{array} \longleftarrow \begin{array}{r} 5 \\ \times 7 \\ \hline \square \end{array} \longleftarrow \begin{array}{r} 3 \\ \times 9 \\ \hline \square \end{array}$$

$$\begin{array}{r} 6 \\ \div 1 \\ \hline \square \end{array} \longrightarrow \begin{array}{r} 11 \\ - 6 \\ \hline \square \end{array} \longrightarrow \begin{array}{r} 16 \\ - 7 \\ \hline \square \end{array} \longrightarrow \begin{array}{r} 30 \\ \div 6 \\ \hline \square \end{array}$$

$$\begin{array}{r} 7 \\ - 3 \\ \hline \square \end{array} \longleftarrow \begin{array}{r} 9 \\ - 7 \\ \hline \square \end{array} \longleftarrow \begin{array}{r} 9 \\ \div 1 \\ \hline \square \end{array} \longleftarrow \begin{array}{r} 25 \\ \div 5 \\ \hline \square \end{array}$$

$$\begin{array}{r} 6 \\ + 5 \\ \hline \square \end{array} \longrightarrow \begin{array}{r} 11 \\ - 4 \\ \hline \square \end{array} \longrightarrow \begin{array}{r} 3 \\ + 3 \\ \hline \square \end{array} \longrightarrow \begin{array}{r} 36 \\ \div 9 \\ \hline \square \end{array}$$

$$\begin{array}{r} 9 \\ \times 5 \\ \hline \square \end{array} \longleftarrow \begin{array}{r} 6 \\ \div 2 \\ \hline \square \end{array} \longleftarrow \begin{array}{r} 1 \\ + 4 \\ \hline \square \end{array} \longleftarrow \begin{array}{r} 20 \\ \div 5 \\ \hline \square \end{array}$$

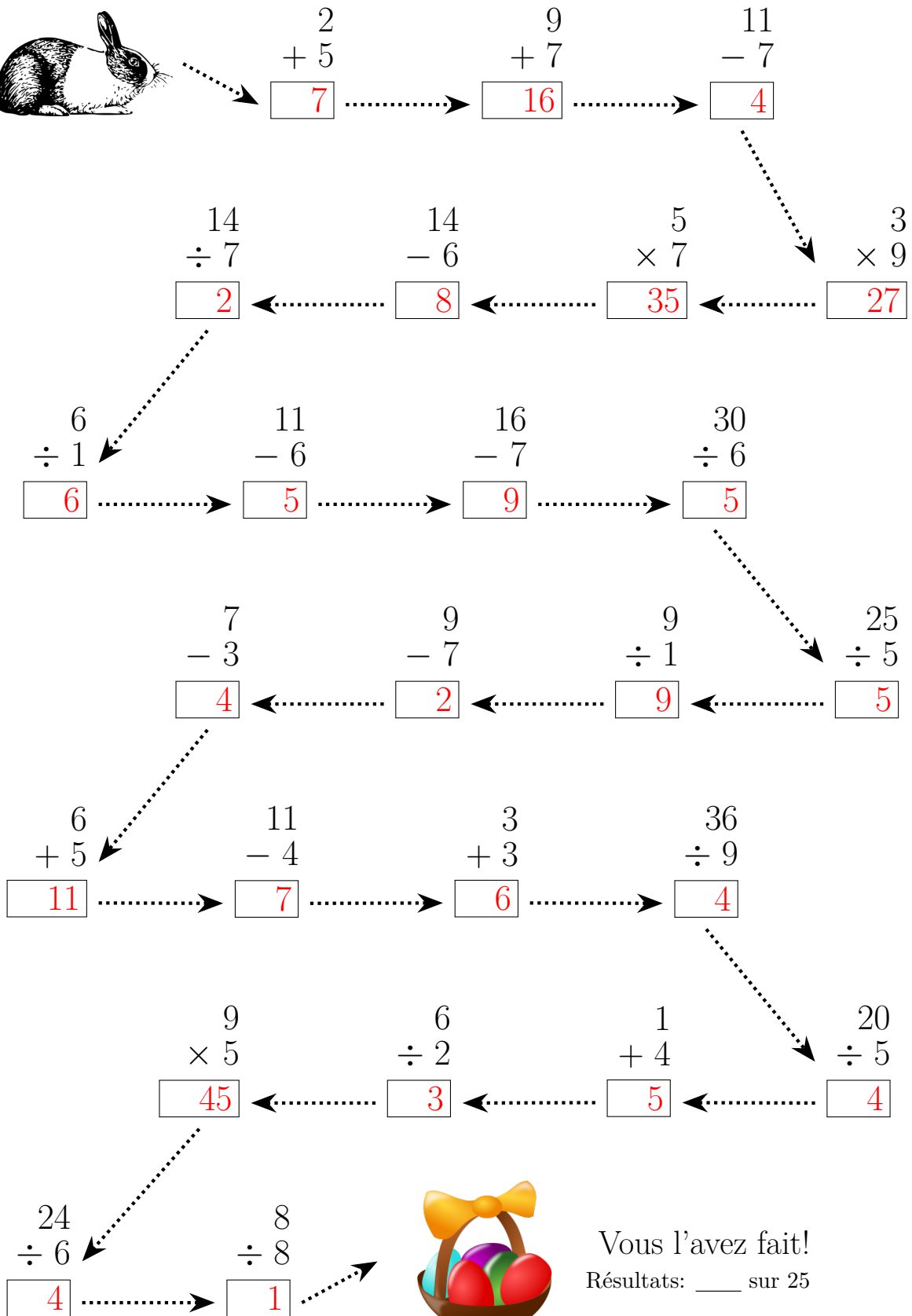
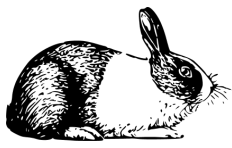
$$\begin{array}{r} 24 \\ \div 6 \\ \hline \square \end{array} \longrightarrow \begin{array}{r} 8 \\ \div 8 \\ \hline \square \end{array}$$



Vous l'avez fait!
Résultats: ____ sur 25

OPÉRATIONS MIXTES (PÂQUES) (1) RÉPONSES

Suivez le Lapin de Pâques jusqu'à son panier. Calculez chaque réponse tout au long du trajectoire.



Vous l'avez fait!
Résultats: ____ sur 25



OPÉRATIONS MIXTES (PÂQUES) (1)

Suivez le Lapin de Pâques jusqu'à son panier. Calculez chaque réponse tout au long du trajectoire.



$$\begin{array}{r} 14 \\ \div 7 \\ \hline \square \end{array} \longrightarrow \begin{array}{r} 9 \\ + 4 \\ \hline \square \end{array} \longrightarrow \begin{array}{r} 12 \\ - 6 \\ \hline \square \end{array}$$

$$\begin{array}{r} 6 \\ \times 5 \\ \hline \square \end{array} \longleftarrow \begin{array}{r} 5 \\ \times 2 \\ \hline \square \end{array} \longleftarrow \begin{array}{r} 11 \\ - 8 \\ \hline \square \end{array} \longleftarrow \begin{array}{r} 1 \\ + 6 \\ \hline \square \end{array}$$

$$\begin{array}{r} 4 \\ \times 2 \\ \hline \square \end{array} \longrightarrow \begin{array}{r} 5 \\ + 9 \\ \hline \square \end{array} \longrightarrow \begin{array}{r} 6 \\ \div 2 \\ \hline \square \end{array} \longrightarrow \begin{array}{r} 8 \\ \times 3 \\ \hline \square \end{array}$$

$$\begin{array}{r} 5 \\ \times 4 \\ \hline \square \end{array} \longleftarrow \begin{array}{r} 2 \\ \times 3 \\ \hline \square \end{array} \longleftarrow \begin{array}{r} 8 \\ - 5 \\ \hline \square \end{array} \longleftarrow \begin{array}{r} 6 \\ \div 1 \\ \hline \square \end{array}$$

$$\begin{array}{r} 6 \\ \times 9 \\ \hline \square \end{array} \longrightarrow \begin{array}{r} 5 \\ \times 3 \\ \hline \square \end{array} \longrightarrow \begin{array}{r} 49 \\ \div 7 \\ \hline \square \end{array} \longrightarrow \begin{array}{r} 7 \\ + 8 \\ \hline \square \end{array}$$

$$\begin{array}{r} 7 \\ - 1 \\ \hline \square \end{array} \longleftarrow \begin{array}{r} 10 \\ - 3 \\ \hline \square \end{array} \longleftarrow \begin{array}{r} 6 \\ + 8 \\ \hline \square \end{array} \longleftarrow \begin{array}{r} 8 \\ - 5 \\ \hline \square \end{array}$$

$$\begin{array}{r} 12 \\ \div 3 \\ \hline \square \end{array} \longrightarrow \begin{array}{r} 4 \\ + 8 \\ \hline \square \end{array}$$



Vous l'avez fait!
Résultats: ____ sur 25

OPÉRATIONS MIXTES (PÂQUES) (D) RÉPONSES

Suivez le Lapin de Pâques jusqu'à son panier. Calculez chaque réponse tout au long du trajectoire.



$$\begin{array}{r} 14 \\ \div 7 \\ \hline \end{array}$$

$$\begin{array}{r} 9 \\ + 4 \\ \hline \end{array}$$

$$\begin{array}{r} 12 \\ - 6 \\ \hline \end{array}$$

$$\begin{array}{r} 6 \\ \times 5 \\ \hline \end{array}$$

$$\begin{array}{r} 5 \\ \times 2 \\ \hline \end{array}$$

$$\begin{array}{r} 11 \\ - 8 \\ \hline \end{array}$$

$$\begin{array}{r} 1 \\ + 6 \\ \hline \end{array}$$

$$\begin{array}{r} 4 \\ \times 2 \\ \hline \end{array}$$

$$\begin{array}{r} 5 \\ + 9 \\ \hline \end{array}$$

$$\begin{array}{r} 6 \\ \div 2 \\ \hline \end{array}$$

$$\begin{array}{r} 8 \\ \times 3 \\ \hline \end{array}$$

$$\begin{array}{r} 5 \\ \times 4 \\ \hline \end{array}$$

$$\begin{array}{r} 2 \\ \times 3 \\ \hline \end{array}$$

$$\begin{array}{r} 8 \\ - 5 \\ \hline \end{array}$$

$$\begin{array}{r} 6 \\ \div 1 \\ \hline \end{array}$$

$$\begin{array}{r} 6 \\ \times 9 \\ \hline \end{array}$$

$$\begin{array}{r} 5 \\ \times 3 \\ \hline \end{array}$$

$$\begin{array}{r} 49 \\ \div 7 \\ \hline \end{array}$$

$$\begin{array}{r} 7 \\ + 8 \\ \hline \end{array}$$

$$\begin{array}{r} 7 \\ - 1 \\ \hline \end{array}$$

$$\begin{array}{r} 10 \\ - 3 \\ \hline \end{array}$$

$$\begin{array}{r} 6 \\ + 8 \\ \hline \end{array}$$

$$\begin{array}{r} 8 \\ - 5 \\ \hline \end{array}$$

$$\begin{array}{r} 12 \\ \div 3 \\ \hline \end{array}$$

$$\begin{array}{r} 4 \\ + 8 \\ \hline \end{array}$$



Vous l'avez fait!
Résultats: ____ sur 25